



PROTECT

combined with active carbon



715753

FH919



CA

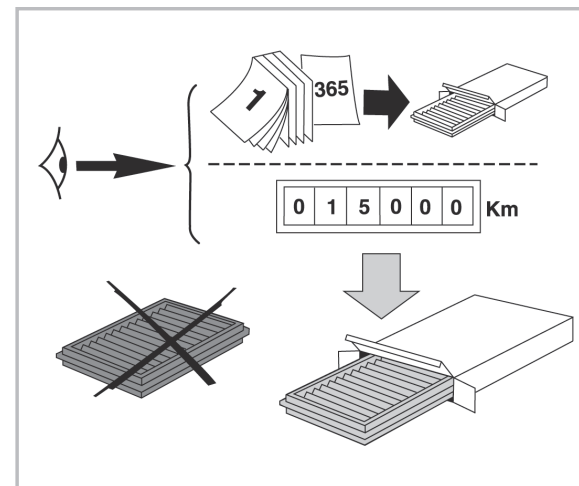
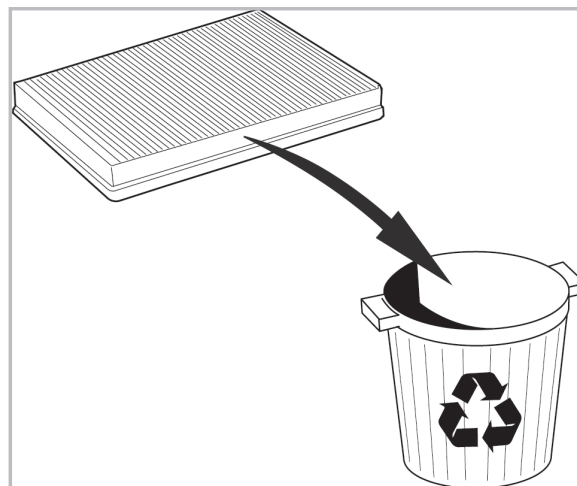
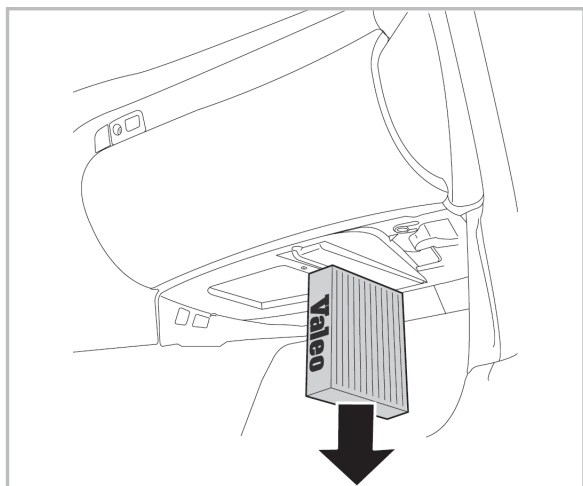
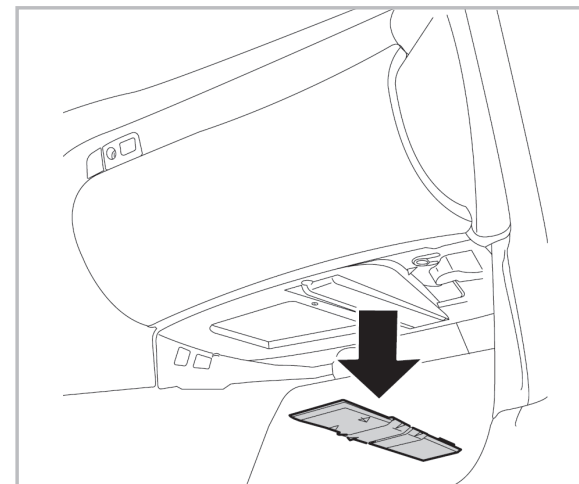
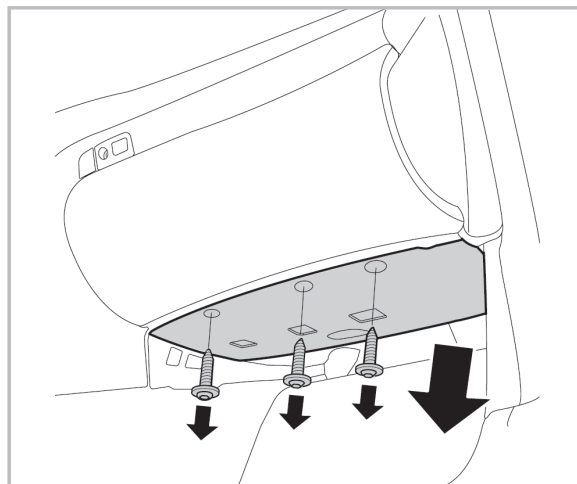
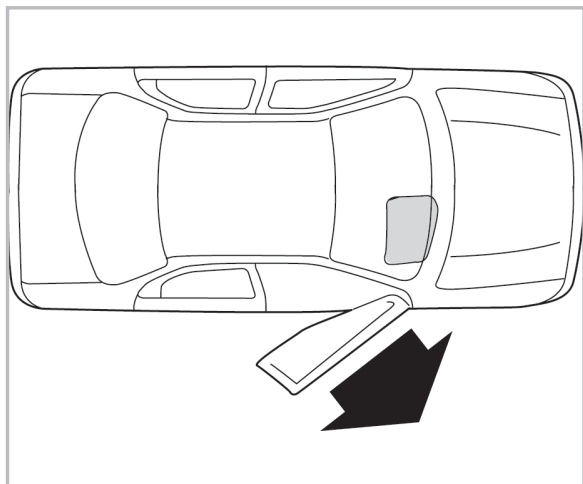
WANT TO KNOW MORE?



www.valeo-techassist.com

FOR
PORSCHE

911 A/C+ (10/11 >) / BOXSTER / BOXSTER S A/C+ (02/12 >)



Valeo Service - Société par Actions simplifiée - Capital de 12 900 000€ - 70, rue Playel, 93285 Saint-Denis Cedex - France - B 306 486 408 RCS Bobigny